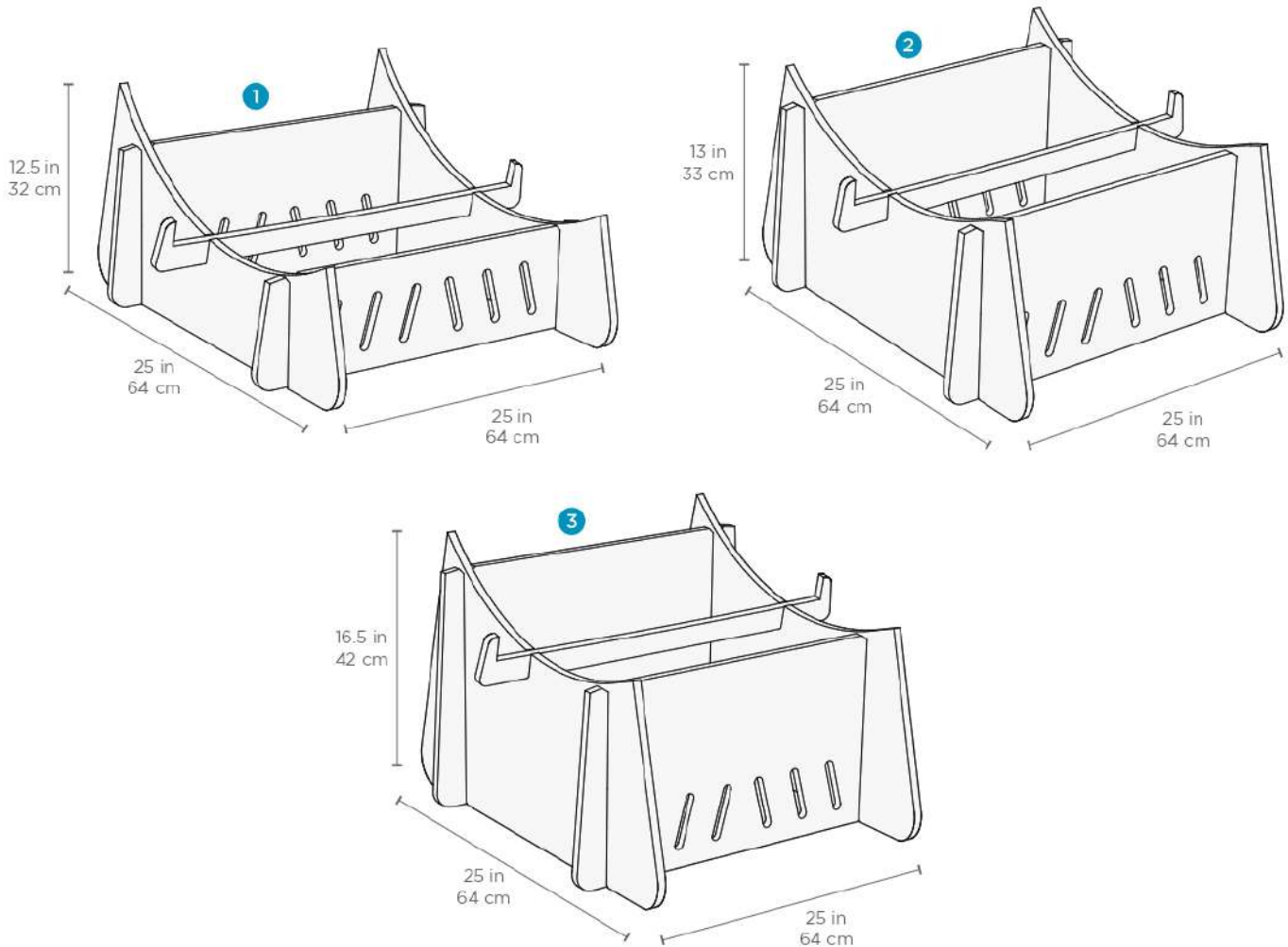


SIGNATURE CHAISE RISER



FEATURES

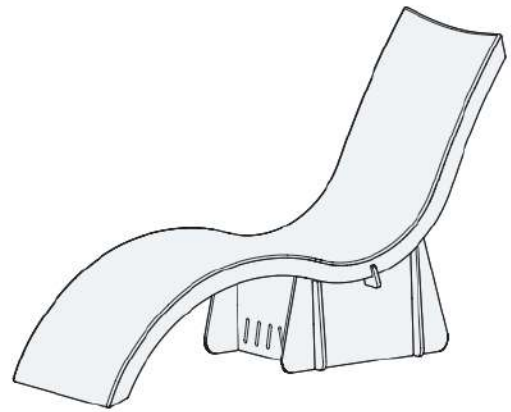
- Perfect lift for deeper ledge depths or to reduce pool water in your seat
- Crafted from the same extruded high-density polyethylene as your lounge
- Withstands outdoor environment without swelling, splintering, fading or warping
- UV20 rated resin is color stabilized for up to 20,000 hours of direct sunlight
- Three sizes designed for water depth between 9" & 15.5" of water
- Available in three colors
- Easy setup

SPECIFICATIONS

- | | | |
|---|---|---|
| 1 Water depth between 9" & 12" Length: 25 in 64 cm Width: 25 in 64 cm Height: 12.5 in 32 cm Weight: 13 lbs | 2 Water depth between 12" & 14" Length: 25 in 64 cm Width: 25 in 64 cm Height: 13 in 33 cm Weight: 17lbs | 3 Water depth between 14" & 15.5" Length: 25 in 64 cm Width: 25 in 64 cm Height: 16.5 in 42 cm Weight: 20lbs |
|---|---|---|



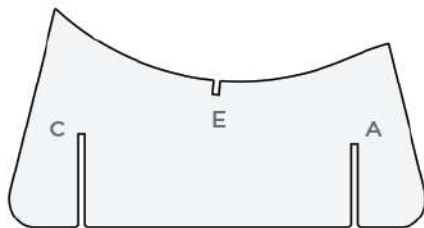
ASSEMBLY GUIDE FOR SIGNATURE CHAISE RISER



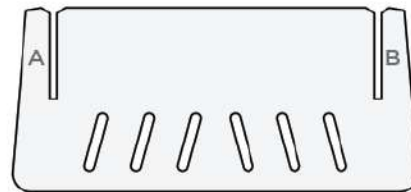
CONTENTS



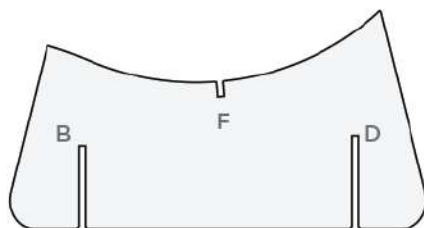
TOP CROSSBAR



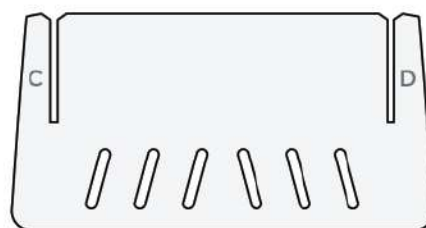
LEFT SIDEBAR



SHORT BOTTOM CROSSBAR



RIGHT SIDEBAR

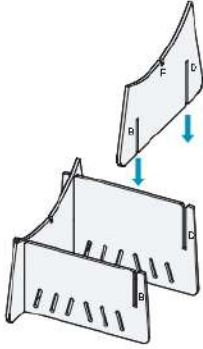


TALL BOTTOM CROSSBAR

LETTER MATCHING SYSTEM

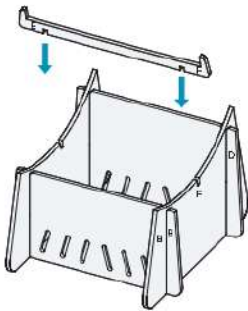
Look for an engraved letter near each slot on the enclosed riser pieces. Always match up coordinating slots (A+A, B+B, etc.) to ensure proper assembly.

Before you begin ensure your Chaise is properly filled with water according to the Chaise installation instructions received with your original shipment. Lost your installation instructions? Contact us at info@ledgeloungers.com



STEP 1: ASSEMBLE RISER BASE

Align the matching slots of the sidebars and bottom crossbars and slide the pieces together. Continue until all 4 pieces of the base are assembled as shown above. The side with the letter engraving should face outward.



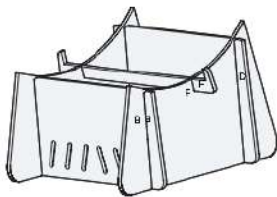
STEP 2: INSERT TOP CROSSBAR

Align and insert the matching slots of the top crossbar with the remaining upward facing slots of the base.

STEP 3: SECURE RISER PIECES

Ensure all pieces are secured by pushing each slot until the pieces are flush with one another.

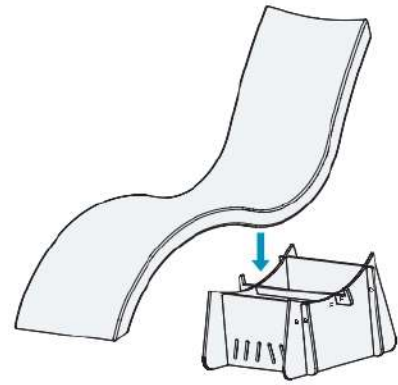
Some movement is okay and will even out once assembly is complete.



STEP 4: INSTALL RISER

Carefully pick up the riser and place on your pool's ledge in the desired location of your Chaise.

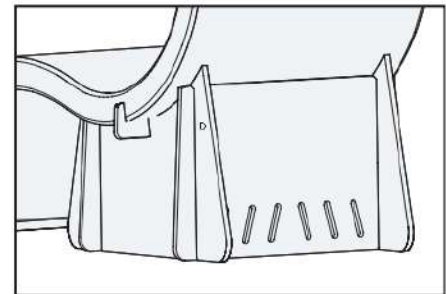
The tallest edge of the riser is the back.



STEP 5: INSTALL CHAISE ON RISER

Lifting at the back of the Chaise, position the seat of the Chaise on the riser system.

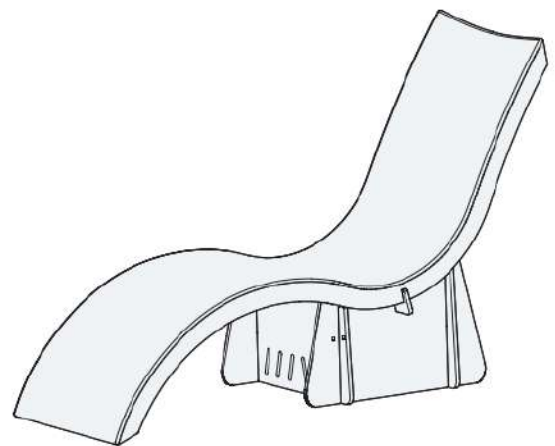
We recommend using two people for this step.



properly secured riser and Chaise

STEP 6: FINAL INSTALLATION

Visually check that the Chaise is centered on the riser and both sides of the seat are inside the hooks of the top crossbar.



Sit back and relax! Take a photo, share it on social media, and tag

#LEDGELIFE